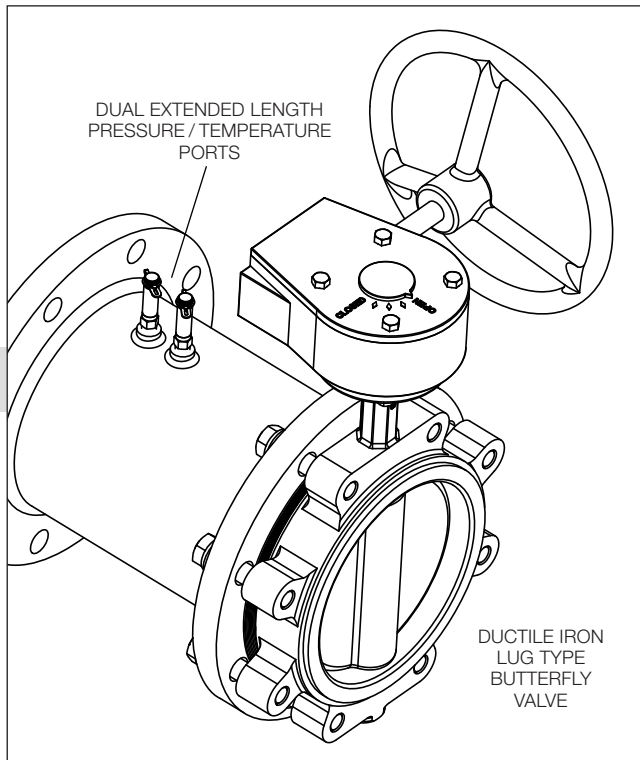


## 8.00" – 12.00" MBF MANUAL BALANCING VALVE



### FEATURES

Nutech's MBF Manual Balancing Valve features a fabricated steel venturi flow element. Mounted on the discharge is a ductile iron lug type butterfly valve with gear operator. ANSI 125/150 flanged end connections. Dual extended length Pressure/Temperature Ports. Hanging I.D. Tag.

### PRODUCT INFORMATION

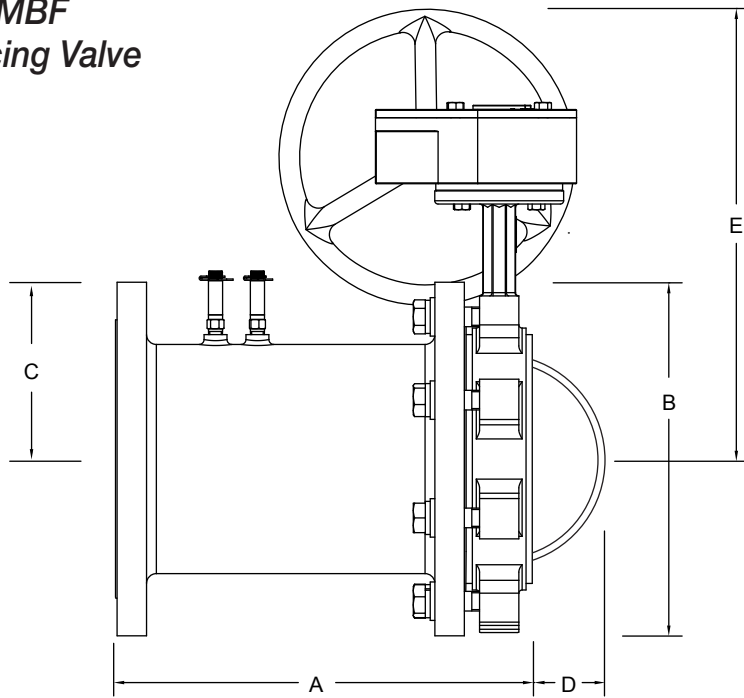
PART	MATERIALS
Venturi	Carbon Steel ASTM A-120
Butterfly Valve	Ductile Iron A536 65-45-12
Disc	Aluminum Bronze B148 C954
Stem	Stainless Steel 416 A582
Seat	EPDM with Phenolic Backing
Bushing	Teflon/Fiberglass Backed
Seal	EPDM
End Conn.	ANSI Class 125/150# Flanged
Metering Ports	Extended Length Pressure/Temperature
RATINGS	Pressures to 200 PSIG (1380 kPa) Temperatures to 250°F (120°C)
ACCURACY	± 3% of flow rate
Available Options	"PTV" Combination PT and Air Vent

### ORDERING INFORMATION

SIZE	MODEL
8.00"	MBF-800L
10.00"	MBF-1000L
12.00"	MBF-1200L

*Optional features and accessories available for this Nutech product are an extra charge, and not included in the standard model price.*

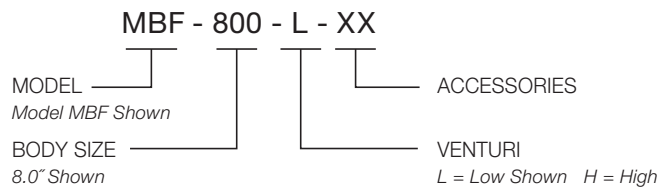
## 8.00" – 12.00" MBF Manual Balancing Valve



### NOMINAL DIMENSIONS & WEIGHTS

MODEL	SIZE			A	B	C	D	E	Wgt	
	in	mm							lbs	kg
MBF-800L	8.0"	203	in	15.88	13.50	6.75	2.72	17.46	145	65.77
			mm	403.35	342.90	171.45	69.08	443.48		
MBF-1000L	10.0"	254	in	17.06	16.00	8.00	3.52	18.72	200	90.71
			mm	433.32	406.40	203.20	89.40	475.48		
MBF-1200L	12.0"	304	in	24.00	19.00	9.50	4.34	20.63	333	153.04
			mm	609.60	482.60	241.30	110.23	524.00		

### ORDERING DESIGNATION



Please reference NuTech Ordering Guide  
(Form# NT-OG) for a complete list of designations.