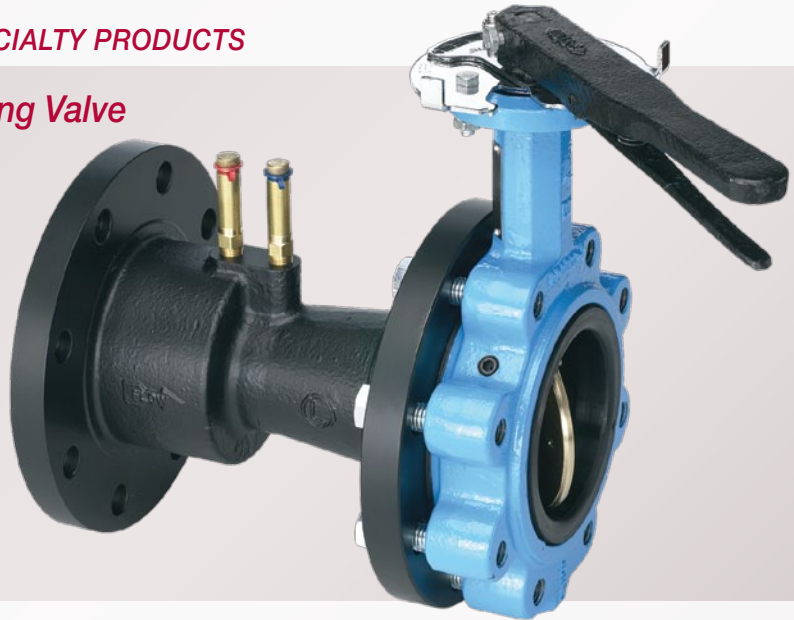


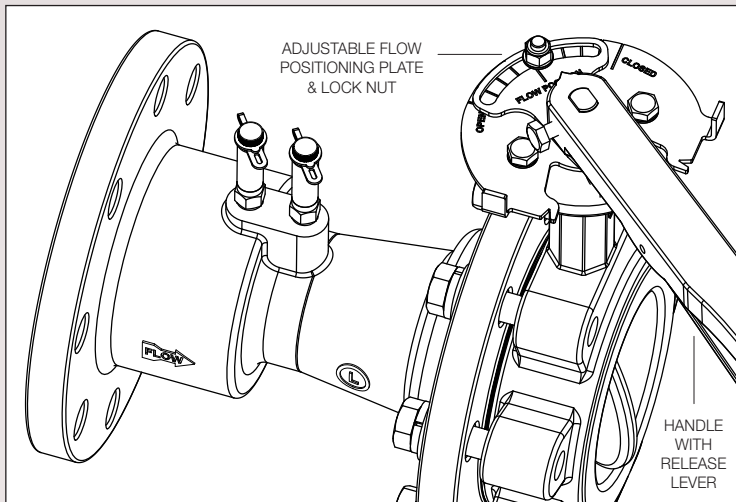
2.50" – 6.00" MBF Manual Balancing Valve



SPECIFICATIONS

FEATURES

Nutech's MBF Manual Balancing Valve features a cast steel venturi flow element. The precision machined throat provides measurement accuracy of $\pm 3\%$ of flow rate. Mounted on the discharge is a ductile iron lug type butterfly valve with adjustable flow positioning plate. ANSI 125/150 flanged end connections. Dual extended length Pressure/Temperature Ports. Hanging I.D. Tag.



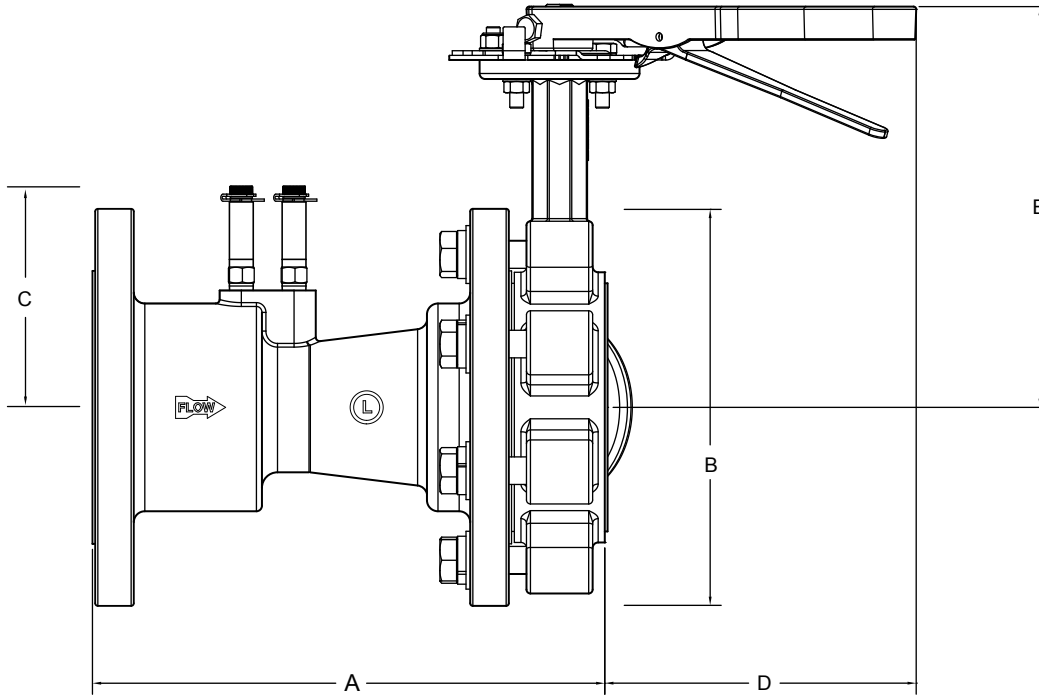
PRODUCT INFORMATION

| PART | MATERIALS |
|-------------------------|---|
| Venturi Butterfly Valve | Carbon Steel ASTM A-120 Ductile Iron A536 65-45-12 |
| Disc | Aluminum Bronze B148 C954 |
| Stem | Stainless Steel 416 A582 |
| Seat | EPDM with Phenolic Backing |
| Bushing | Teflon/Fiberglass Backed |
| Seal | EPDM |
| End Conn. | ANSI Class 125/150# Flanged |
| Metering Ports | Extended Length Pressure/Temperature |
| RATINGS | Pressures to 200 PSIG (1380 kPa) Temperatures to 250°F (107°C) |
| ACCURACY | $\pm 3\%$ of flow rate |
| Available Options | "PTV" Combination PT and Air Vent |

| SIZE | MODEL |
|-------|----------|
| 2.50" | MBF-250L |
| 3.00" | MBF-300L |
| 4.00" | MBF-400L |
| 5.00" | MBF-500L |
| 6.00" | MBF-600L |

Optional features and accessories available for this Nutech product are an extra charge, and not included in the standard model price.

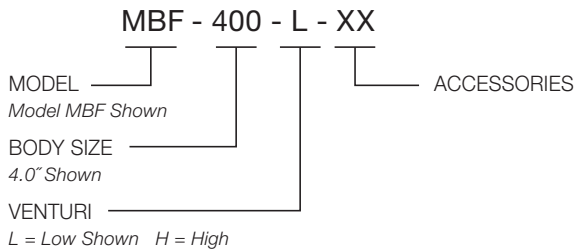
2.50" – 6.00" MBF Manual Balancing Valve



NOMINAL DIMENSIONS & WEIGHTS

| MODEL | SIZE | | | A | B | C | D | E | Wgt | |
|----------|-------|-----|----|--------|-------|--------|--------|--------|-----|-------|
| | in | mm | | | | | | | lbs | kg |
| MBF-250L | 2.50" | 65 | in | 8.75 | 7 | 4.2 | 9.13 | 8.13 | 32 | 70.4 |
| | | | mm | 222.25 | 177.8 | 106.65 | 231.9 | 206.5 | | |
| MBF-300L | 3.00" | 75 | in | 9.78 | 7.5 | 4.54 | 9.13 | 8.38 | 38 | 83.6 |
| | | | mm | 248.41 | 190.5 | 115.29 | 231.9 | 212.85 | | |
| MBF-400L | 4.00" | 100 | in | 11.5 | 9 | 5.02 | 9 | 9.13 | 55 | 121 |
| | | | mm | 292.1 | 228.6 | 127.48 | 228.6 | 231.9 | | |
| MBF-500L | 5.00" | 125 | in | 13.13 | 10 | 5.53 | 9 | 9.63 | 79 | 173.8 |
| | | | mm | 333.5 | 254 | 140.49 | 228.6 | 244.6 | | |
| MBF-600L | 6.00" | 150 | in | 14.73 | 11 | 6.04 | 8.88 | 10.13 | 92 | 202.4 |
| | | | mm | 374.14 | 279.4 | 153.39 | 225.55 | 257.3 | | |

ORDERING DESIGNATION



Please reference NuTech Ordering Guide (Form# NT-OG) for a complete list of designations.