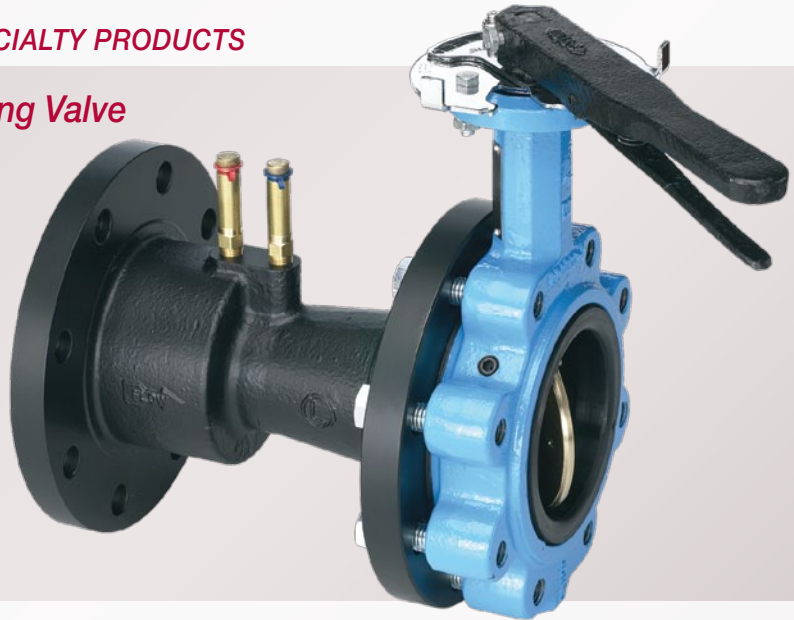
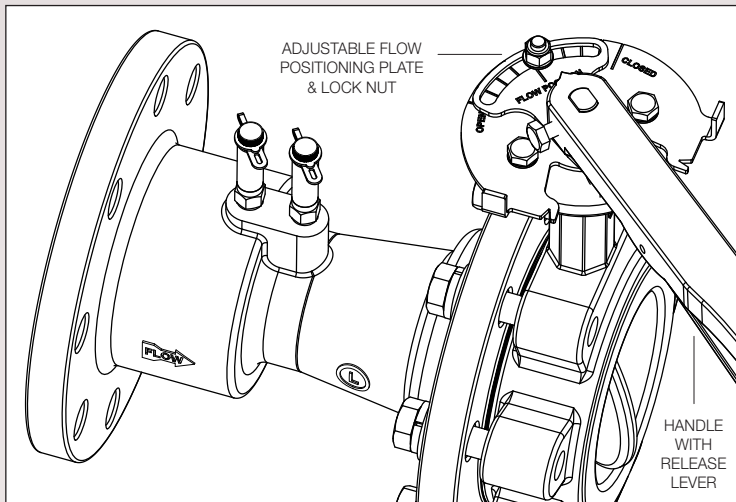


2.50" - 6.00" MBF Manual Balancing Valve



FEATURES

Nutech's MBF Manual Balancing Valve features a cast steel venturi flow element. The precision machined throat provides measurement accuracy of $\pm 3\%$ of flow rate. Mounted on the discharge is a ductile iron lug type butterfly valve with adjustable flow positioning plate. ANSI 125/150 flanged end connections. Dual extended length Pressure/Temperature Ports. Hanging I.D. Tag.



SPECIFICATIONS

PRODUCT INFORMATION

PART	MATERIALS
Venturi Butterfly Valve	Carbon Steel ASTM A-120 Ductile Iron A536 65-45-12
Disc	Aluminum Bronze B148 C954
Stem	Stainless Steel 416 A582
Seat	EPDM with Phenolic Backing
Bushing	Teflon/Fiberglass Backed
Seal	EPDM
End Conn.	ANSI Class 125/150# Flanged
Metering Ports	Extended Length Pressure/Temperature
RATINGS	Pressures to 200 PSIG (1380 kPa) Temperatures to 250°F (107°C)
ACCURACY	$\pm 3\%$ of flow rate
Available Options	"PTV" Combination PT and Air Vent

SIZE	MODEL
2.50"	MBF-250L
3.00"	MBF-300L
4.00"	MBF-400L
5.00"	MBF-500L
6.00"	MBF-600L

Optional features and accessories available for this Nutech product are an extra charge, and not included in the standard model price.

