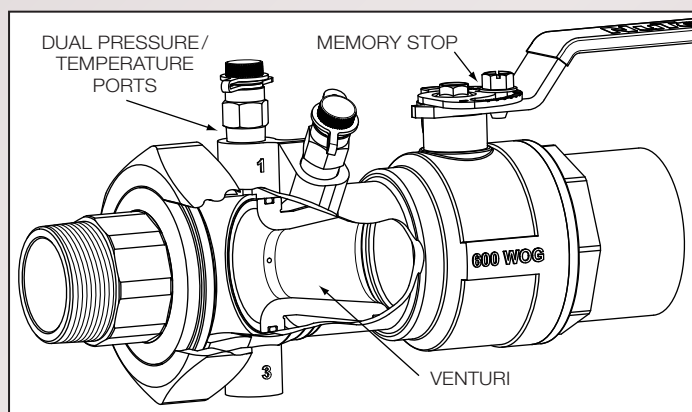


NuTech HYDRONIC SPECIALTY PRODUCTS

0.50" - 2.00" MB Manual Balancing Valve



FEATURES



NuTech's MB offers manual balancing and shut-off. The MB Manual Balancing Valve features a brass venturi flow element for unsurpassed measurement accuracy and energy savings. The ball valve has a chrome plated ball with Teflon seats, blowout proof stem with double EPDM O-ring seals. The union has a EPDM O-ring seal and tailpiece available in MNPT, FNPT and SWT end connections. Standard features include Adjustable Memory Stop and Dual Pressure/Temperature Ports.

PRODUCT INFORMATION

PART	MATERIALS
Body	Forged Brass
Flow Element	Brass Venturi
End Conn.	Brass Fixed End SWT, FNPT Union End SWT, FNPT & MNPT
Stem	Brass <i>Optional 316 Stainless Steel</i>
Ball	Chrome Plated Brass <i>Optional 316 Stainless Steel</i>
Seals	EPDM
Seats	Teflon
Handles	Full size Zinc Plated lever w/ Vinyl Grip
Memory Stop	Zinc Plated Steel
RATINGS	Pressures to 600 PSI (4140 kPa) Temperatures to 250° F (120° C)
ACCURACY	± 3% of flow rate
Available Options	"PTV" Combination PT and Air Vent, Hose End Drain Valve and Extensions

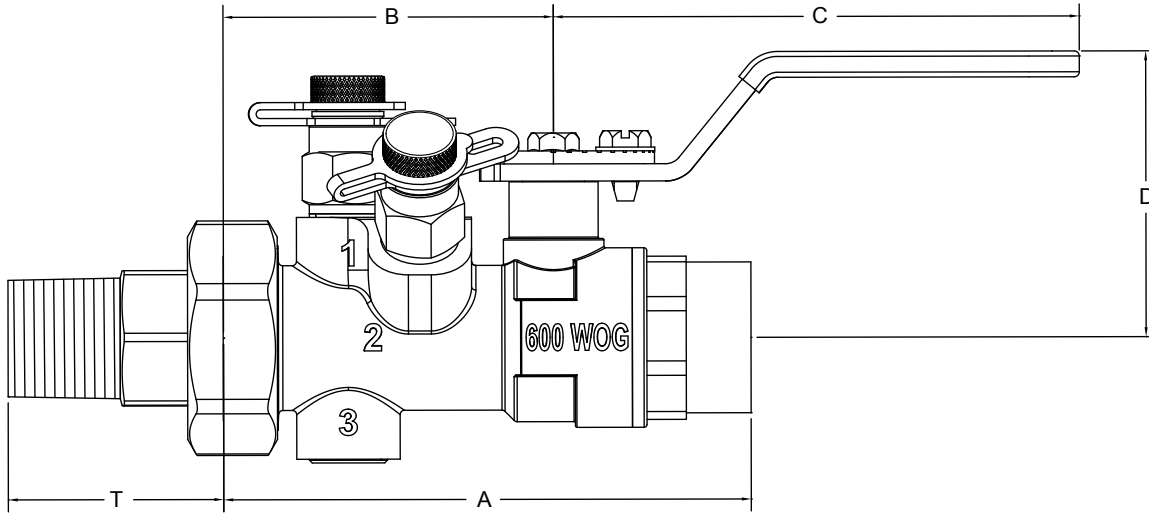
SIZE	MODEL
0.50"	MB - 050
0.75" C	MB - 075 C
0.75"	MB - 075
1.00" C	MB - 100 C
1.25"	MB - 125
1.50"	MB - 150
2.00" C	MB - 200 C

C = Conventional Port

Optional features and accessories available for this Nutech product are an extra charge, and not included in the standard model price.

SPECIFICATIONS

0.50" – 2.00" MB Manual Balancing Valve

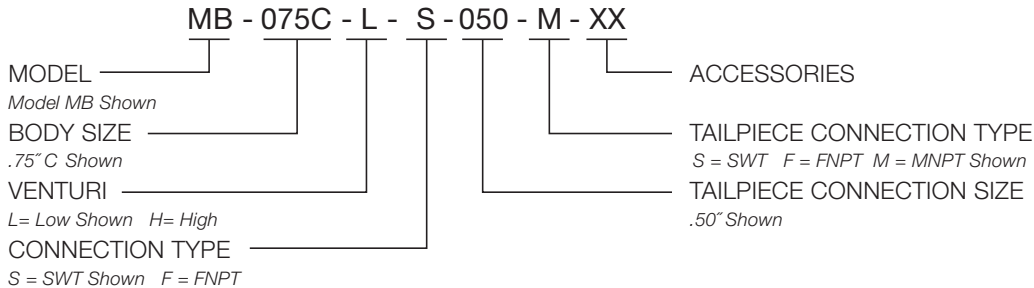


NOMINAL DIMENSIONS & WEIGHTS

MODEL	SIZE		FLOW RANGE GMP (10"-100")	A		B	C	D	* T MNPT	Wgt lbs	
	in	mm		FNPT	SWT						
MB-050	0.50	15	(L) 0.4 - 1.3 (H) 1.3 - 4.0	in	3.46	3.55	2.30	3.66	1.98	1.50	1.31
				mm	87.88	90.17					
MB-075C	0.75C	20	(L) 0.4 - 1.3 (H) 1.3 - 4.0	in	3.60	3.67	2.30	3.66	1.98	1.55	1.34
				mm	91.44	93.22					
MB-075	0.75	20	(L) 1.6 - 5.0 (H) 4.0 -13.0	in	3.87	3.98	2.56	3.66	2.08	1.56	1.81
				mm	98.30	101.1					
MB-100C	1.00C	25	(L) 1.6 - 5.0 (H) 4.0 -13.0	in	4.00	4.14	2.56	3.66	2.08	1.75	1.81
				mm	101.6	105.16					
MB-125	1.25	32	7.25 - 23.0	in	5.39	5.56	3.70	5.03	2.44	1.80	4.59
				mm	136.91	119.70					
MB-150	1.50	40	9.5 - 30.0	in	6.06	6.38	4.16	5.66	2.83	1.80	4.97
				mm	153.92	162.05					
MB-200C	2.00C	50	15.0 - 50.0	in	6.57	7.36	4.45	5.66	2.83	1.98	7.10
				mm	166.9	187.0					

*Refer to NuTech Replacement Tailpiece Chart TP-1024-08 C= Conventional Port

ORDERING DESIGNATION



Please reference NuTech Ordering Guide (Form# NT-OG) for a complete list of designations.