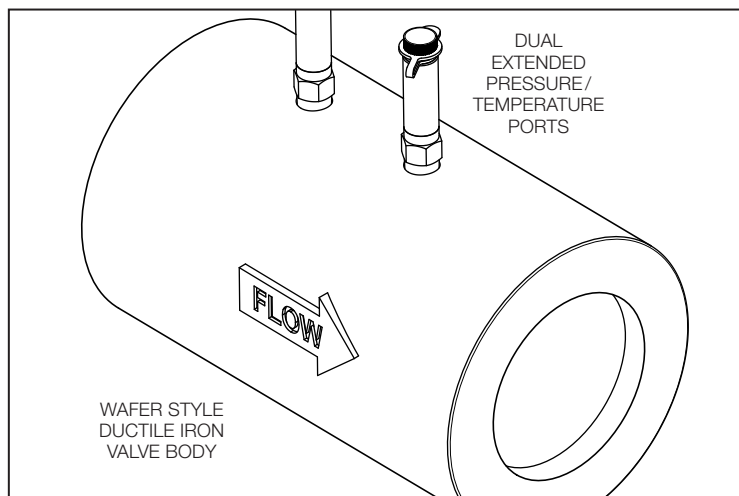


2.50" - 12.00" AW AUTOMATIC BALANCING VALVE



FEATURES



NuTech's AW Automatic Balancing Valve incorporates a wafer style ductile iron body. The removable flow cartridge(s) is factory set to automatically limit the GPM to within $\pm 5\%$ of the specified flow. Shipped with Rods and Nuts for use with customer supplied companion flanges. Standard features include Dual Extended Pressure/Temperature Ports.

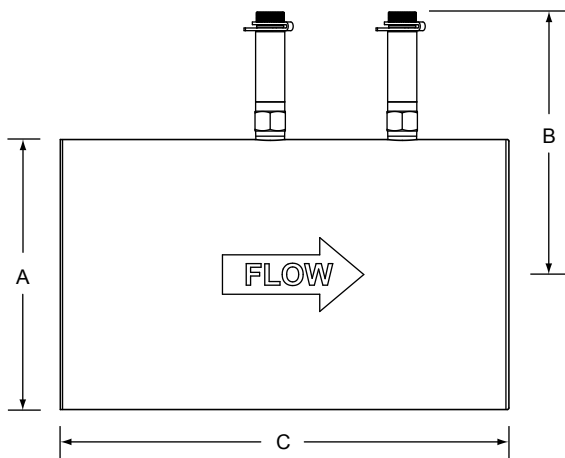
PRODUCT INFORMATION

PART	MATERIALS
Body	Ductile Iron
End Conn.	Wafer Style
Cartridge	Stainless Steel Wear Surfaces with Stainless Steel Springs
RATINGS	Pressures to 600 PSIG (4140 kPa) Temperatures to 250°F (120°C)
ACCURACY	$\pm 5\%$ of flow rate
Available Options	"PTV" Combination PT and Air Vent

SIZE	MODELS	SIZE	MODELS
2.50"	AW-250	6.00"	AW-600
3.00"	AW-300	8.00"	AW-800
4.00"	AW-400	10.00"	AW-1000
5.00"	AW-500	12.00"	AW-1200

Optional features and accessories available for this Nutech product are an extra charge, and not included in the standard model price.

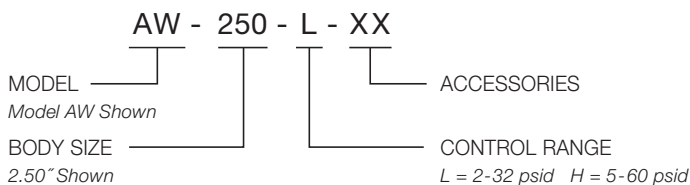
2.50" - 12.00" AW AUTOMATIC BALANCING VALVE



NOMINAL DIMENSIONS & WEIGHTS

MODEL	SIZE			A	B	C	WEIGHT		Max. No. Cartridges	Maximum gpm (lps) Control Range psi (kPa)	
	in	mm					lbs	kg		2-32 (14-221)	5-60 (34-414)
AW-250	2.50"	65	in	4.30	4.80	5.82	13.0	5.9	1	80 (5.0)	120 (7.6)
			mm	109	122	148					
AW-300	3.00"	80	in	5.00	5.15	8.78	22.0	10.0	1	135 (8.5)	170 (10.7)
			mm	127	131	223					
AW-400	4.00"	100	in	6.80	6.00	9.60	35.0	15.9	2	270 (17.0)	340 (21.4)
			mm	173	152	244					
AW-500	5.00"	125	in	7.60	6.50	10.00	56.0	25.4	3	405 (25.5)	510 (32.1)
			mm	193	165	254					
AW-600	6.00"	150	in	8.50	6.80	10.16	67.0	30.4	4	540 (34.0)	680 (42.8)
			mm	216	173	258					
AW-800	8.00"	200	in	11.00	8.00	11.00	81.0	36.7	7	945 (59.5)	1190 (75.0)
			mm	279	203	279					
AW-1000	10.00"	250	in	13.30	9.30	11.00	121.0	54.9	11	1485 (93.6)	1870 (118.0)
			mm	338	236	279					
AW-1200	12.00"	300	in	15.90	10.60	11.00	157.0	71.2	15	2025 (128.0)	2550 (161.0)
			mm	404	269	279					

ORDERING DESIGNATION



Please reference NuTech Ordering Guide (Form# NT-OG) for a complete list of designations.