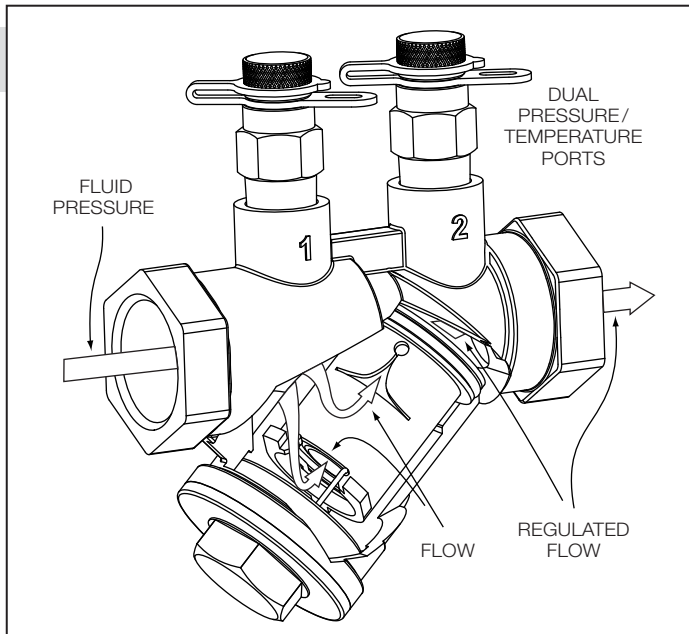
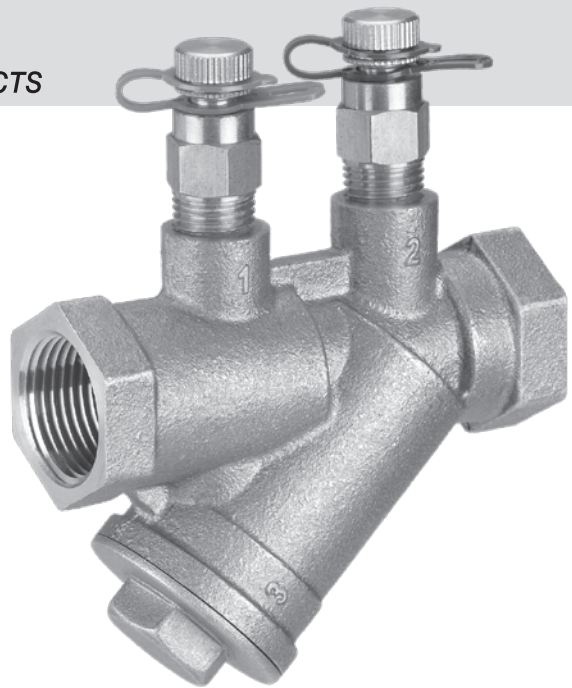
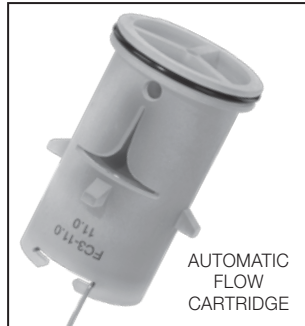


0.50" – 1.00" AR Automatic Balancing Valve



FEATURES

NuTech's AR is an automatic flow control device. The removable flow cartridge is factory set to automatically limit the GPM to within $\pm 5\%$ of the specified flow. Standard features include EPDM O-rings and seals, FNPT end connections and Dual Pressure/Temperature Ports.

SPECIFICATIONS

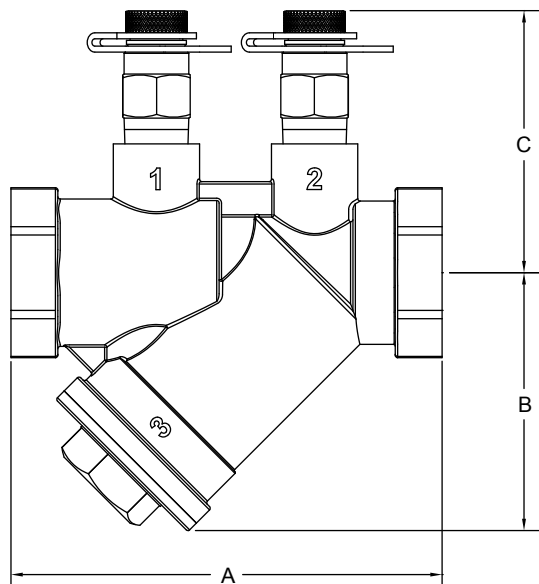
PRODUCT INFORMATION

PART	MATERIALS
Body	DZR Brass
End Conn.	FNPT, Inlet and Outlet
Cartridge	.50" – 1.00" Ultrason® Composite
Seals	EPDM
RATINGS	Pressures to 400 PSI (2758 kPa) Temperatures to 250° F (120° C)
ACCURACY	$\pm 5\%$ of flow rate
Available Options	"PTV" Combination PT & Air Vent

SIZE	MODEL
0.50"	AR – 050F
0.75"	AR – 075F
1.00"	AR – 100F

Optional features and accessories available for this Nutech product are an extra charge, and not included in the standard model price.

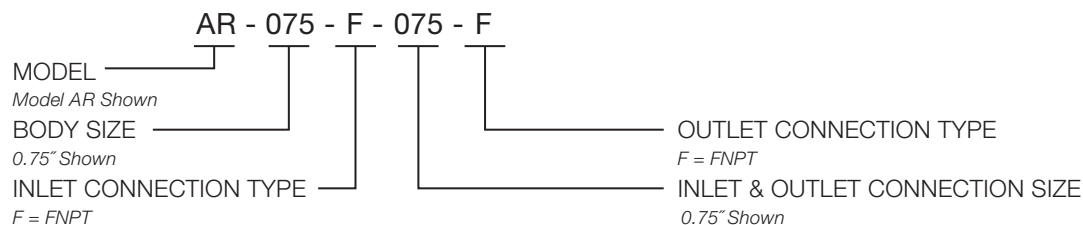
0.50" - 1.00" AR Automatic Balancing Valve



NOMINAL DIMENSIONS & WEIGHTS

MODEL	SIZE			A	B	C	WEIGHT		GPM SETTINGS 2-32 PSID
	in	mm					lbs	kg	
AR-050F	0.50	15	in	3.43	2.15	2.19	0.98	0.44	0.5, 0.75, 1.0, 1.5, 2.0, 2.5, 3.0, 3.5, 4.0, 4.5, 5.0, 6.0, 7.0, 8.0, 9.0, 10.0
			mm	87.10	54.60	55.60			
AR-075F	0.75	20	in	3.60	2.15	2.19	1.04	0.47	
			mm	91.40	54.60	55.60			
AR-100F	1.00	25	in	3.92	2.15	2.19	1.20	0.54	
			mm	99.60	54.60	55.60			

ORDERING DESIGNATION



Please reference NuTech Ordering Guide (Form# NT-OG) for a complete list of designations.