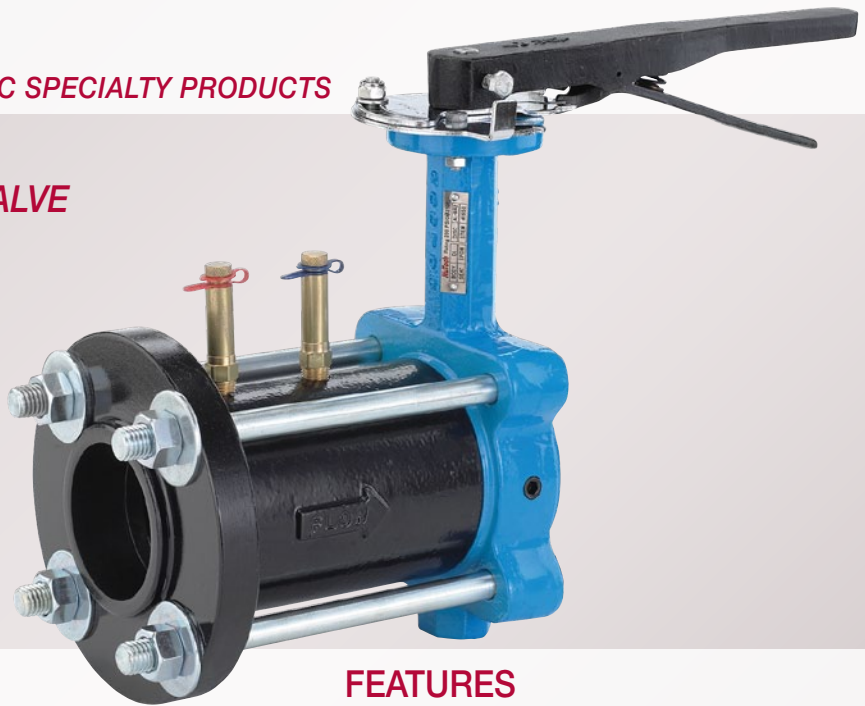


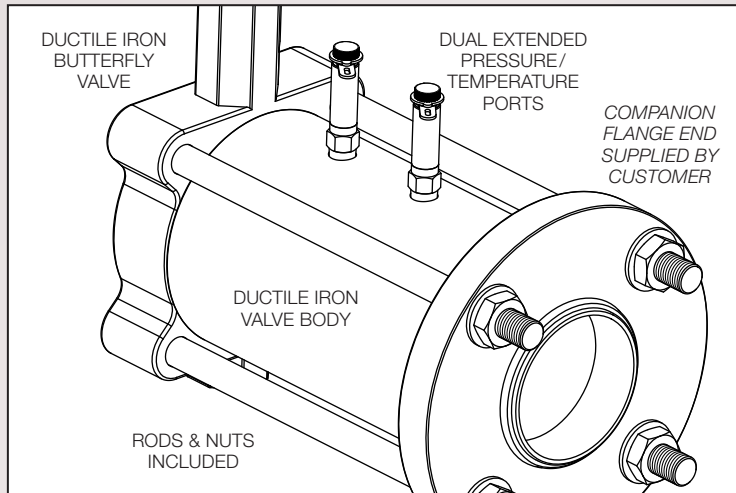
NuTech HYDRONIC SPECIALTY PRODUCTS

2.50" - 8.00" ABW AUTOMATIC BALANCING VALVE WITH BUTTERFLY VALVE



FEATURES

Nutech's ABW Automatic Balancing Valve incorporates a wafer style ductile iron body and lug type butterfly valve with adjustable flow positioning plate. The removable flow cartridge(s) is factory set to automatically limit the GPM to within $\pm 5\%$ of the specified flow. Shipped with Rods and Nuts for use with customer supplied companion flange. Standard features include Dual Extended Pressure/Temperature Ports.



PRODUCT INFORMATION

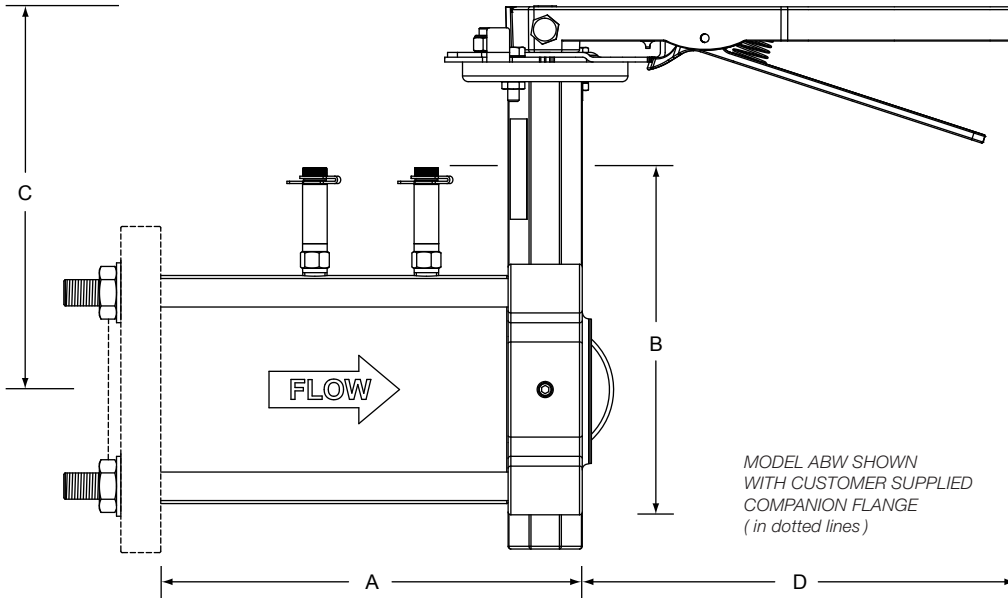
PART	MATERIALS
Body (Wafer)	Ductile Iron
Cartridge(s)	Stainless Steel Wear Surfaces with Stainless Steel Springs
Butterfly Valve	Ductile Iron A536 65-45-12
Disc	Aluminum Bronze B148 C954
Stem	Stainless Steel 416 A582
Seat	EPDM with Phenolic Backing
Bushing	Teflon/Fiberglass Backed
Seal	EPDM
End Conn.	ANSI Class 125/150# Flanged
RATINGS	Pressures to 200 PSIG (1380 kPa) Temperatures to 250°F (107°C)
ACCURACY	$\pm 5\%$ of flow rate
Available Options	"PTV" Combination PT & Air Vent

SIZE	MODELS
2.50"	ABW-250
3.00"	ABW-300
4.00"	ABW-400
5.00"	ABW-500
6.00"	ABW-600
8.00"	ABW-800

Optional features and accessories available for this Nutech product are an extra charge, and not included in the standard model price.

SPECIFICATIONS

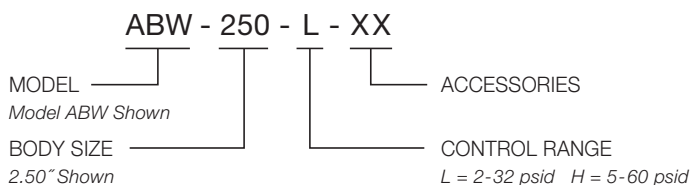
2.50" - 8.00" ABW AUTOMATIC BALANCING VALVE WITH BUTTERFLY VALVE



NOMINAL DIMENSIONS & WEIGHTS

MODEL	SIZE			A	B	C	D	WEIGHT		Max. No. Cartridges	Maximum gpm (lps) Control Range psi (kPa)	
	in	mm						lbs	kg		2-32 (14-221)	5-60 (34-414)
ABW-250	2.50"	65	in	7.50	7.00	7.20	9.00	23.0	13.5	1	80 (5.0)	120 (7.6)
			mm	190	180	185	230					
ABW-300	3.00"	80	in	10.60	7.50	7.60	9.00	34.0	18.0	1	135 (8.5)	170 (10.7)
			mm	255	190	195	230					
ABW-400	4.00"	100	in	11.70	9.00	8.40	9.00	53.0	29.9	2	270 (17.0)	340 (21.4)
			mm	295	230	215	230					
ABW-500	5.00"	125	in	12.30	10.00	8.90	9.00	86.0	39.2	3	405 (25.5)	510 (32.1)
			mm	315	255	225	230					
ABW-600	6.00"	150	in	12.40	11.00	9.60	9.00	103.0	46.7	4	540 (34.0)	680 (42.8)
			mm	315	280	245	230					
ABW-800	8.00"	200	in	13.40	13.50	10.80	5.00	151.0	68.6	7	945 (59.5)	1190 (75.0)
			mm	340	345	275	130					

ORDERING DESIGNATION



Please reference NuTech Ordering Guide (Form# NT-OG) for a complete list of designations.