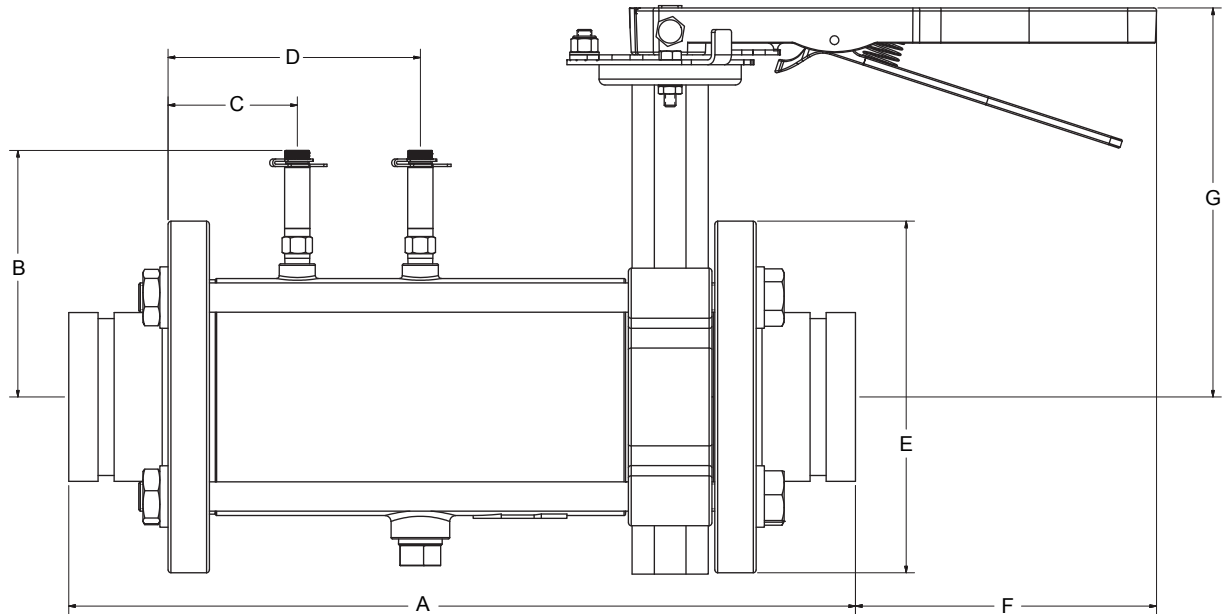


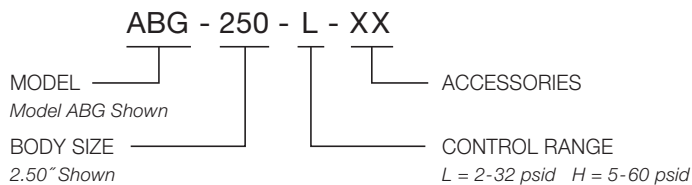
2.50" – 6.00" ABG AUTOMATIC BALANCING VALVE WITH BUTTERFLY VALVE (ABW With Groove x Flange Adaptors)



NOMINAL DIMENSIONS & WEIGHTS

MODEL	SIZE			A	B	C	D	E	F	G	WEIGHT		Max. No. Cartridges	Maximum gpm (lps) Control Range psi (kPA)	
	in	mm									lbs	kg		2-32 (14-221)	5-60 (34-414)
ABG-250	2.50"	65	in	13.88	4.58	2.19	4.29	7.00	6.13	8.13	33.48	15.19	1	80 (5.0)	120 (7.6)
			mm	523.62	116.33	54.50	108.97	177.80	155.70	206.50					
ABG-300	3.00"	80	in	16.79	5.26	2.75	5.38	7.50	6.13	8.38	43.43	19.70	1	135 (8.5)	170 (10.7)
			mm	426.47	133.60	69.72	136.65	190.50	155.70	212.85					
ABG-400	4.00"	100	in	17.87	6.22	3.39	7.46	9.00	6.00	9.13	68.45	31.05	2	270 (17.0)	340 (21.4)
			mm	453.90	158.00	85.99	189.36	228.60	152.40	213.90					
ABG-500	5.00"	125	in	18.77	6.61	3.45	7.04	10.00	5.00	9.63	81.30	36.88	3	405 (25.5)	510 (32.1)
			mm	476.76	167.90	87.50	178.69	254.00	127.00	244.60					
ABG-600	6.00"	150	in	20.62	7.05	3.22	7.18	11.00	4.88	10.13	101.12	45.87	4	540 (34.0)	680 (42.8)
			mm	523.75	179.10	81.66	182.25	279.40	123.95	257.30					

ORDERING DESIGNATION



Please reference NuTech Ordering Guide (Form# NT-OG) for a complete list of designations.