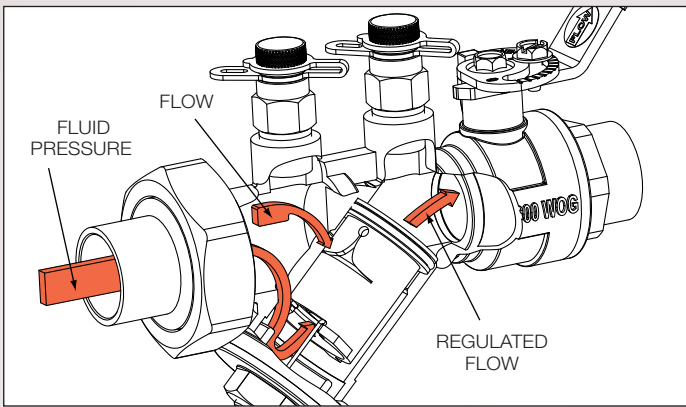


NuTech HYDRONIC SPECIALTY PRODUCTS

0.50" - 2.00" AB Automatic Balancing Valve



FEATURES

NuTech's AB Automatic Balancing Valve is a combination ball valve, automatic flow control device and union. The removable flow cartridge is factory set to automatically limit the GPM to within $\pm 5\%$ of the specified flow. The ball valve has a chrome plated ball, Teflon seats and a blowout proof stem with double EPDM O-ring seals. The union has a EPDM O-ring seal and tailpiece available in MNPT, FNPT and SWT end connections. Standard features include Memory Stop and Dual Pressure/Temperature Ports.

PRODUCT INFORMATION

PART	MATERIALS
Body	Forged Brass
End Conn.	Brass Fixed End SWT, FNPT Union End SWT, FNPT & MNPT
Cartridge	.50" - 1.50" Ultrason® Composite 2" Stainless Steel
Stem	Brass <i>Optional 316 Stainless Steel</i>
Ball	Chrome Plated Brass <i>Optional 316 Stainless Steel</i>
Seals	EPDM
Seats	Teflon
Handles	Full size Zinc Plated lever w/ Vinyl Grip
RATINGS	Pressures to 600 PSI (4140 kPa) Temperatures to 250° F (120° C)
ACCURACY	$\pm 5\%$ of flow rate
Available Options	"PTV" Combination PT & Air Vent, Hose End Drain Valve and Extensions

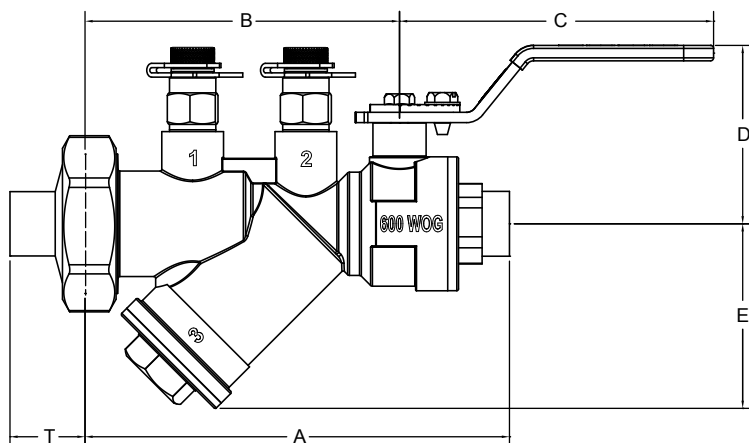
SIZE	MODEL
0.50"	AB - 050
0.75"	AB - 075
1.00" C	AB - 100C
1.00" H	AB - 100H
1.25"	AB - 125
1.50" C	AB - 150C
1.50" H	AB - 150H
2.00" C	AB - 200C

H = High Output
C = Conventional Port

Optional features and accessories available for this Nutech product are an extra charge, and not included in the standard model price.

SPECIFICATIONS

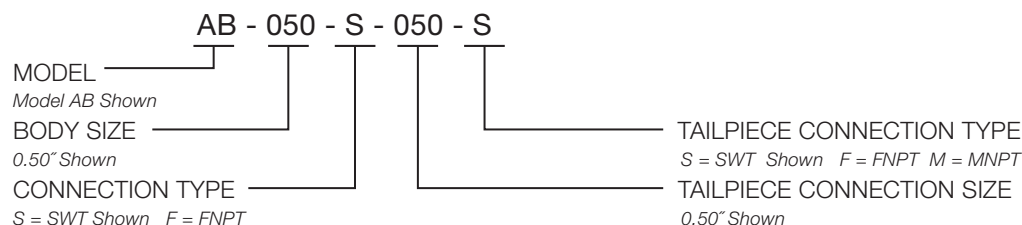
0.50" – 2.00" AB Automatic Balancing Valve



NOMINAL DIMENSIONS & WEIGHTS

MODEL	SIZE		A		B	C	D	E	*T SWT	Wgt lbs	GPM SETTINGS 2-32 PSID			
	in	mm	FNPT	SWT										
AB-050	0.50	15	in	4.96	4.95	3.67	3.66	2.08	2.15	0.83	2.09	0.5, 0.75, 1.0, 1.5, 2.0, 2.5, 3.0, 3.5, 4.0, 4.5, 5.0, 6.0, 7.0, 8.0, 9.0, 10.0		
			mm	126	125.7	93.23	92.96	52.83	54.61	21.08				
AB-075	0.75	20	in	4.97	5.09	3.67	3.66	2.08	2.15	0.98			2.09	
			mm	126.24	129.29	93.23	92.96	52.83	54.61	24.89				
AB-100C	1.00C	25	in	5.11	5.25	3.67	3.66	2.08	2.15	0.92			5.05	
			mm	129.79	133.35	93.23	92.96	52.83	54.61	23.37				
AB-100H	1.00H	25	in	6.98	7.18	5.38	5.03	2.44	3.61	1.41			5.05	5.0, 6.0, 7.0, 8.0, 9.0, 10.0, 11.0, 12.0, 13.0, 14.0, 15.0
			mm	177.29	182.37	136.65	127.76	61.98	91.69	35.81				
AB-125	1.25	32	in	7.06	7.24	5.38	5.03	2.44	3.61	1.43			5.17	5.0, 6.0, 7.0, 8.0, 9.0, 10.0, 11.0, 12.0, 13.0, 14.0, 15.0, 16.0, 17.0, 18.0, 19.0, 20.0
			mm	179.32	183.90	136.65	127.76	61.98	91.69	36.32				
AB-150C	1.50C	40	in	7.06	7.37	5.38	5.03	2.44	3.61	1.17			5.17	
			mm	179.32	187.2	136.65	127.76	61.98	91.69	29.72				
AB-150H	1.50H	40	in	9.59	9.91	7.44	5.66	2.83	3.91	1.17	8.63	5.0, 6.0, 7.0, 8.0, 9.0, 10.0, 11.0, 12.0, 13.0, 14.0, 15.0, 16.0, 17.0, 18.0, 19.0, 20.0, 22.0, 24.0, 26.0, 28.0, 30.0		
			mm	249.6	251.7	189.0	143.6	71.9	99.5	29.72				
AB-200C	2.00C	50	in	9.56	10.35	7.44	5.65	2.83	3.92	1.5	8.65	20.0, 22.0, 24.0, 26.0, 28.0, 30.0, 32.0, 34.0, 36.0, 38.0, 40.0, 42.0, 44.0, 45.0, 48.0, 50.0		
			mm	242.82	262.89	188.98	143.51	71.88	99.57	38.1				
*Refer to NuTech Replacement Tailpiece Chart TP-1024-08											5-60 PSID 52.0, 54.0, 56.0, 58.0, 60.0, 62.0, 64.0, 66.0, 68.0, 70.0			

ORDERING DESIGNATION



Please reference NuTech Ordering Guide (Form# NT-OG) for a complete list of designations.